

# ALUMINUM SECTIONAL RAMP

Handi-Ramp®

## ALUMINUM SECTIONAL RAMP SERIES™

The Aluminum Sectional Ramp System from Handi-Ramp is designed for ease of assembly and flexibility.

Its modular design, with 4 foot, 5 foot and 6 foot sections, enable one ramp system to solve many access barriers. All sections are completely interchangeable and because the material is lightweight and heavy-duty, this system is the perfect option for meeting ADA requirements when a permanent ramp cannot be installed.

### Easy to Install and Store!

Because of its modular design, a single system can be used to achieve access to many different barriers. Simply choose the length of ramp required and connect the sections together.

Ramp sections are lightweight and can fit in a small storage space when not in use. For example, a 24 foot ramp (four - six foot long sections, without handrails) will store in a space, 76" tall x 42" deep x 16" wide.

### Customizable Solutions

At Handi-Ramp we know that each ramp application is unique and may require some customization. Our expert design team is ready to work with you and/or your dealer to meet your specific needs.

Our patented non-skid surface exceeds all governmental specifications. Handrails are also available and are recommended for all rises over 6" in height.

Each ramp system contains a *Ramp Base*, one or more *Ramp Sections*, and an *Upper Ramp Lip*. Standard width for our sections is 36".



*The flexibility and portability of this system allows for many uses. Here an eight foot ramp is in use as a boarding ramp for the Anita Dee II.*

***Patented non-skid surface provides excellent footing and traction in most conditions. (This surface exceeds all federal specifications for non-skid surfaces.)***



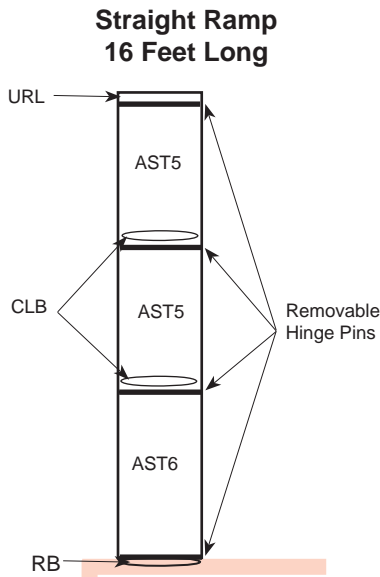
Handi-Ramp®

**The First Name in Accessibility Since 1958**

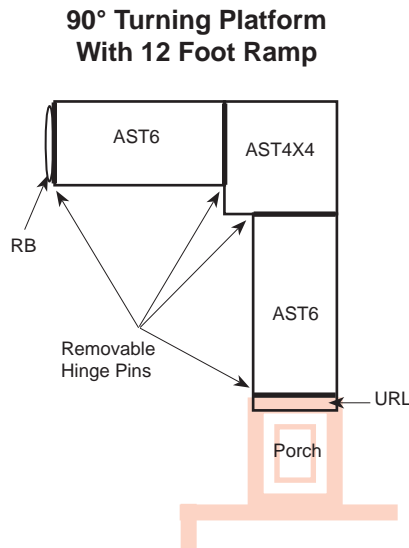
510 North Avenue, Libertyville, IL 60048 • Phone: (800) 876-RAMP • FAX: (847) 816-8866 • [www.handiramp.com](http://www.handiramp.com)

# ALUMINUM SECTIONAL RAMP SERIES™

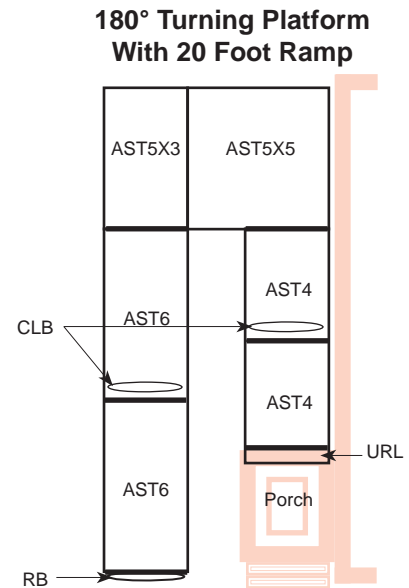
## Examples of Typical Ramp Configurations



| Item             | ID # | Quantity Needed |
|------------------|------|-----------------|
| 5' Ramp Section  | AST5 | 2               |
| 6' Ramp Section  | AST6 | 1               |
| Upper Ramp Lip   | URL  | 1               |
| Connecting Brace | CLB  | 2               |
| Ramp Base        | RB   | 1               |



| Item             | ID #   | Quantity Needed |
|------------------|--------|-----------------|
| 6' Ramp Section  | AST6   | 2               |
| 4' X 4' Platform | AST4X4 | 1               |
| Upper Ramp Lip   | URL    | 1               |
| Ramp Base        | RB     | 1               |



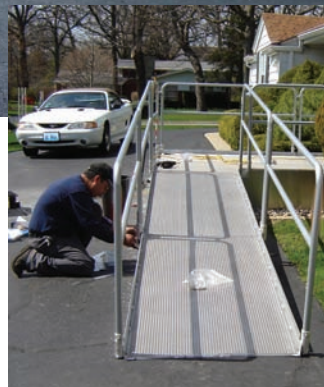
| Item             | ID #   | Quantity Needed |
|------------------|--------|-----------------|
| 4' Ramp Section  | AST4   | 2               |
| 6' Ramp Section  | AST6   | 2               |
| 5' X 5' Platform | AST5X5 | 1               |
| 5' X 3' Platform | AST5X3 | 1               |
| Upper Ramp Lip   | URL    | 1               |
| Connecting Brace | CLB    | 2               |
| Ramp Base        | RB     | 1               |

## HANDRAILS

Handi-Ramp® steel or high strength aluminum, handrail and railing systems meet all ADA accessibility standards, are maintenance free and ideal for stairways, ramps, walkways, platforms, bridges and machine barriers.

Handrails are sold separately and in conjunction with our ramp systems. They are simple to install and remove by simply sliding into receiver tubes which are welded onto each ramp section.

| Product Description           | Product Number | Capacity | Approximate Weight |
|-------------------------------|----------------|----------|--------------------|
| 4 Foot Ramp                   | AST4           | 750 lbs. | 39 lbs             |
| 5 Foot Ramp                   | AST5           | 750 lbs. | 49 lbs             |
| 6 Foot Ramp                   | AST6           | 750 lbs. | 59 lbs             |
| 4' X 4' Platform              | AST4X4         | 750 lbs. | 54 lbs             |
| 5' X 5' Platform              | AST5X5         | 750 lbs. | 74 lbs             |
| 5' X 3' Platform Add-on       | AST5X3         | 750 lbs. | 39 lbs             |
| Hand Rail Section (Each Side) | HR             |          | 17 lbs             |
| Ramp Base                     | RB             |          | 4.5lbs             |
| Upper Ramp Lip                | URL            |          | 5.5lbs             |
| Connecting Leg Brace          | CLB            |          | 7.5 lbs            |



Common Handrail Applications

- Stairways**
- Ramps**
- Pools**
- Decks**
- Escalators**
- Porches**
- and more!**

**Handi-Ramp®**

**The First Name in Accessibility Since 1958**